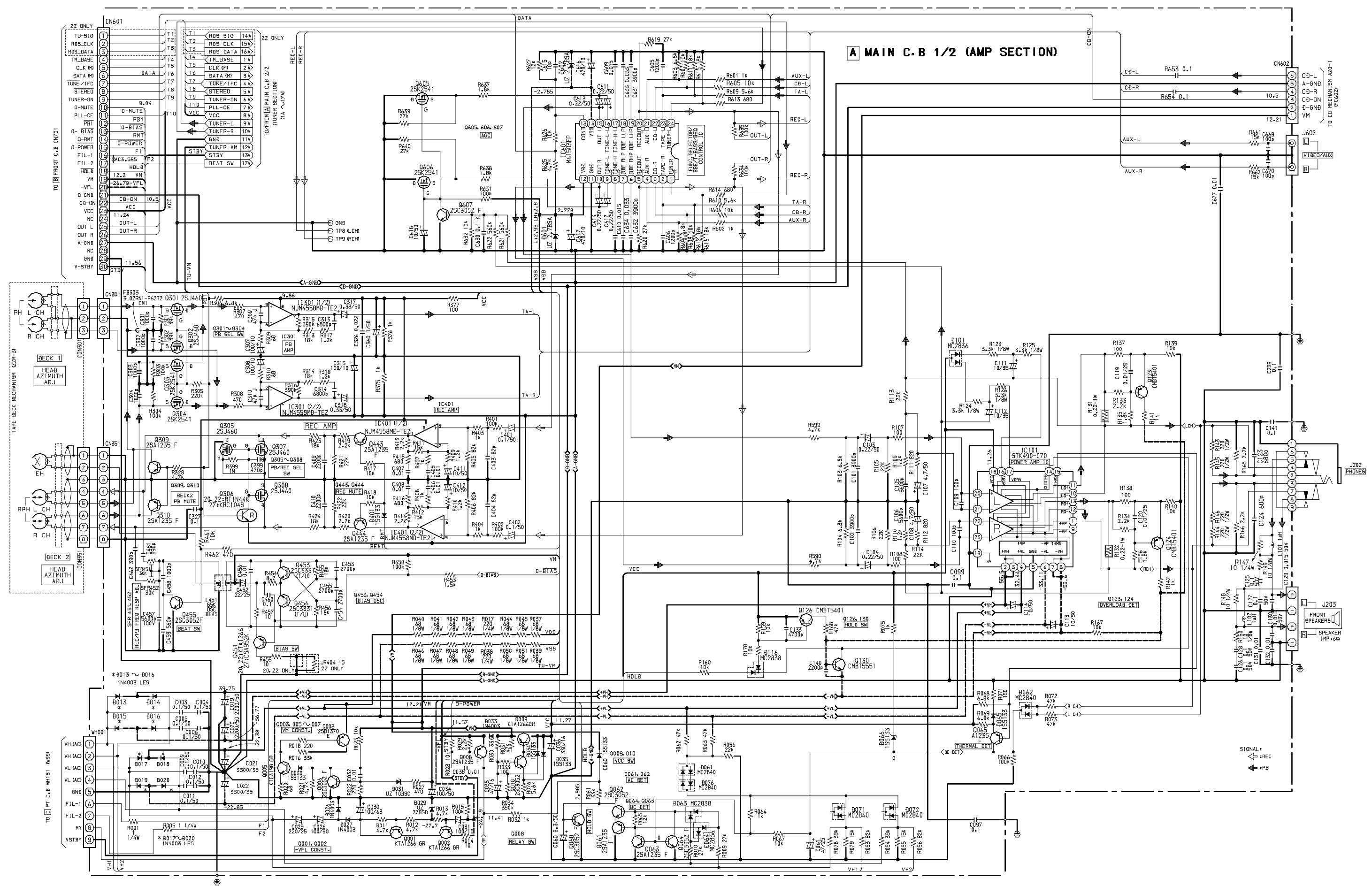
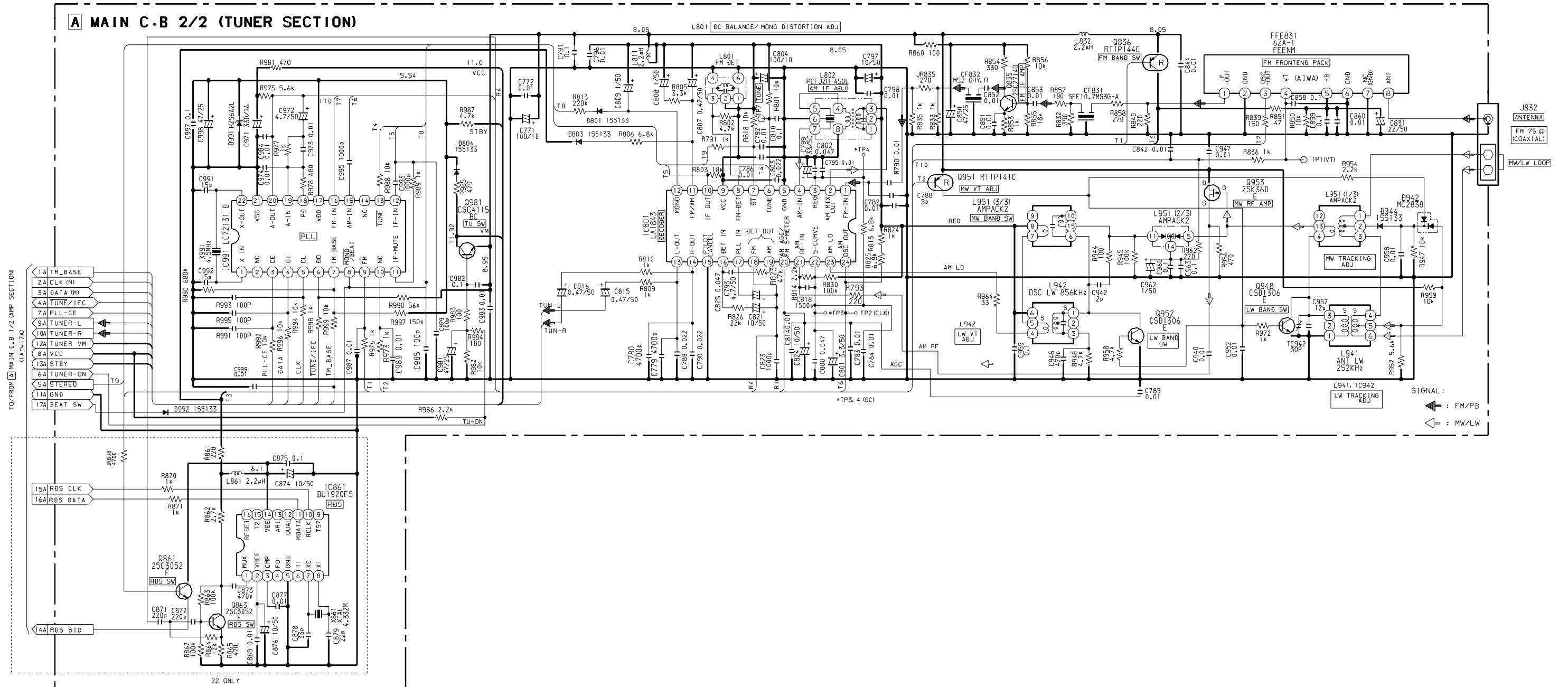


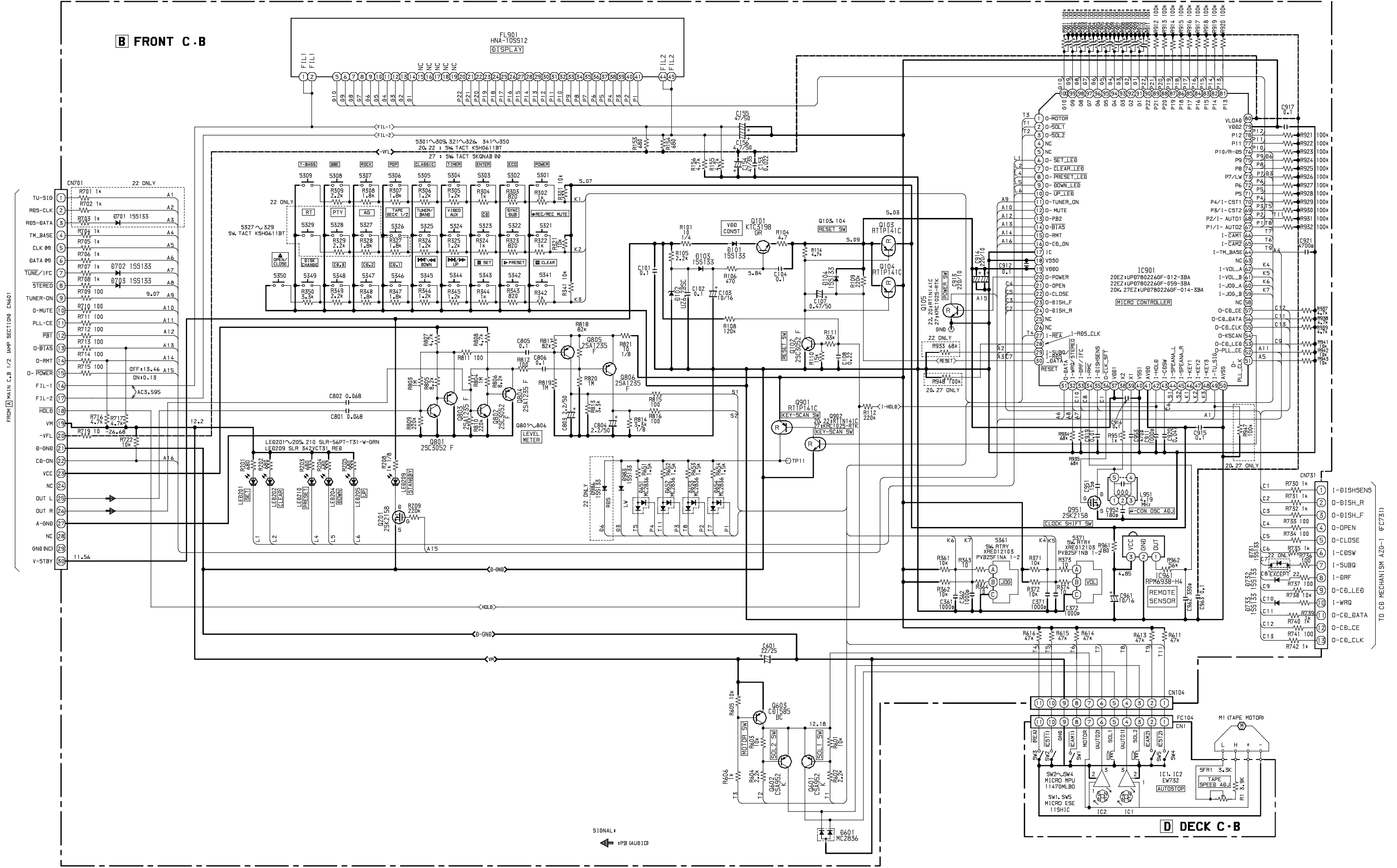
SCHEMATIC DIAGRAM - 1 (MAIN 1/2 : AMP)



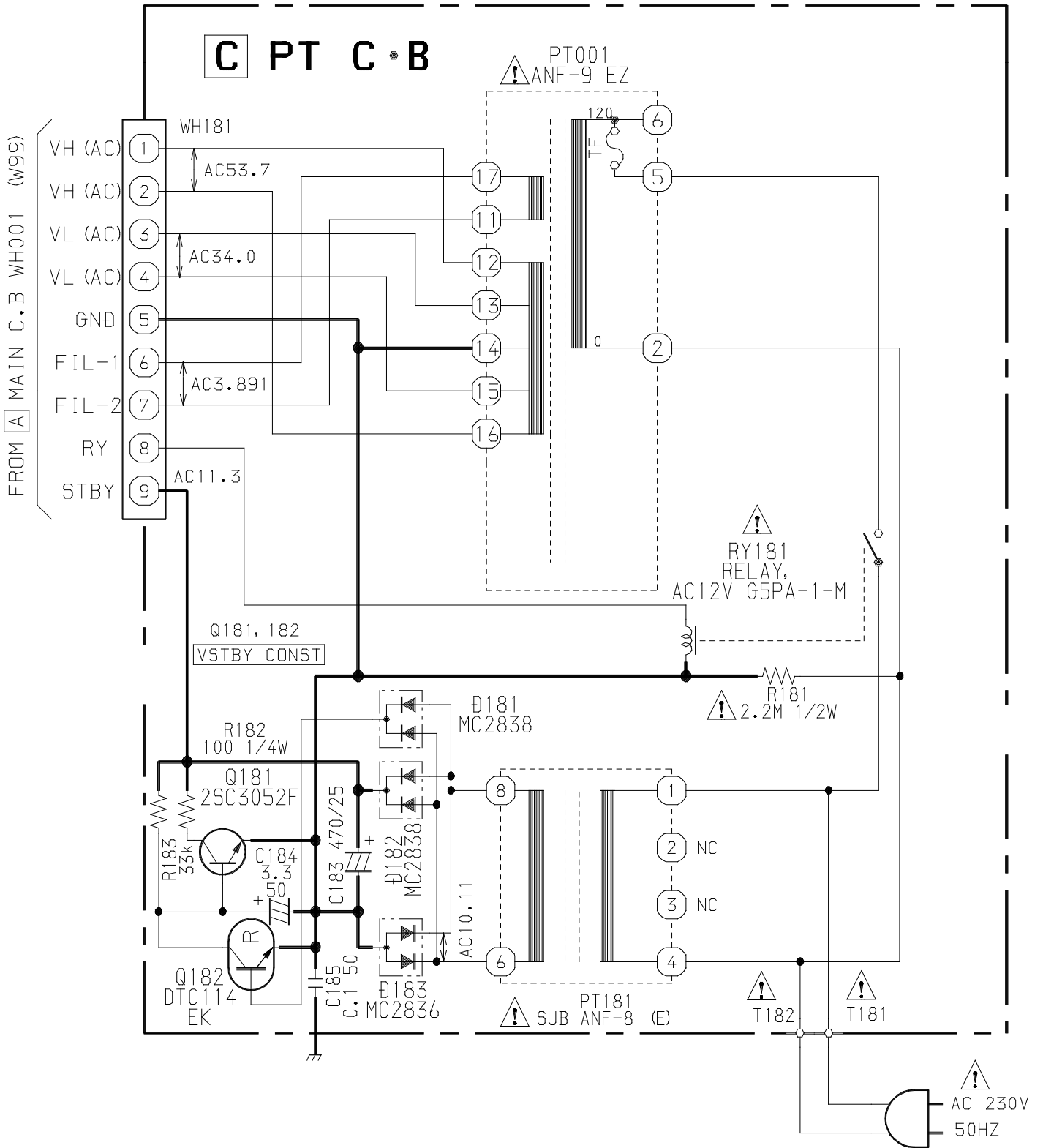
SCHEMATIC DIAGRAM - 2 (MAIN 2/2 : TUNER)



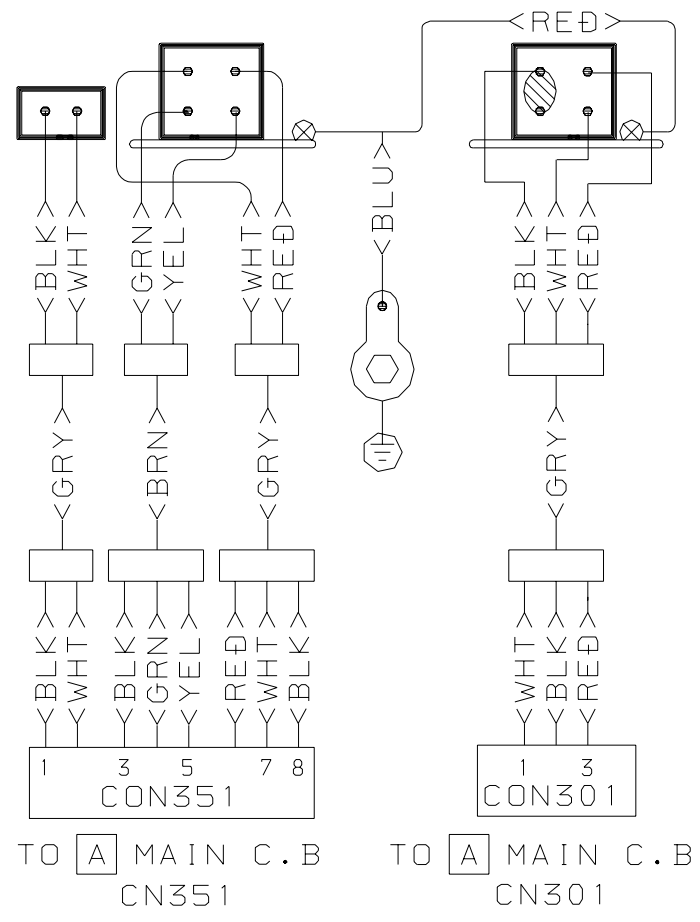
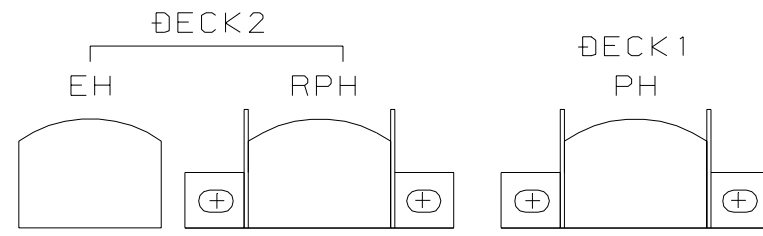
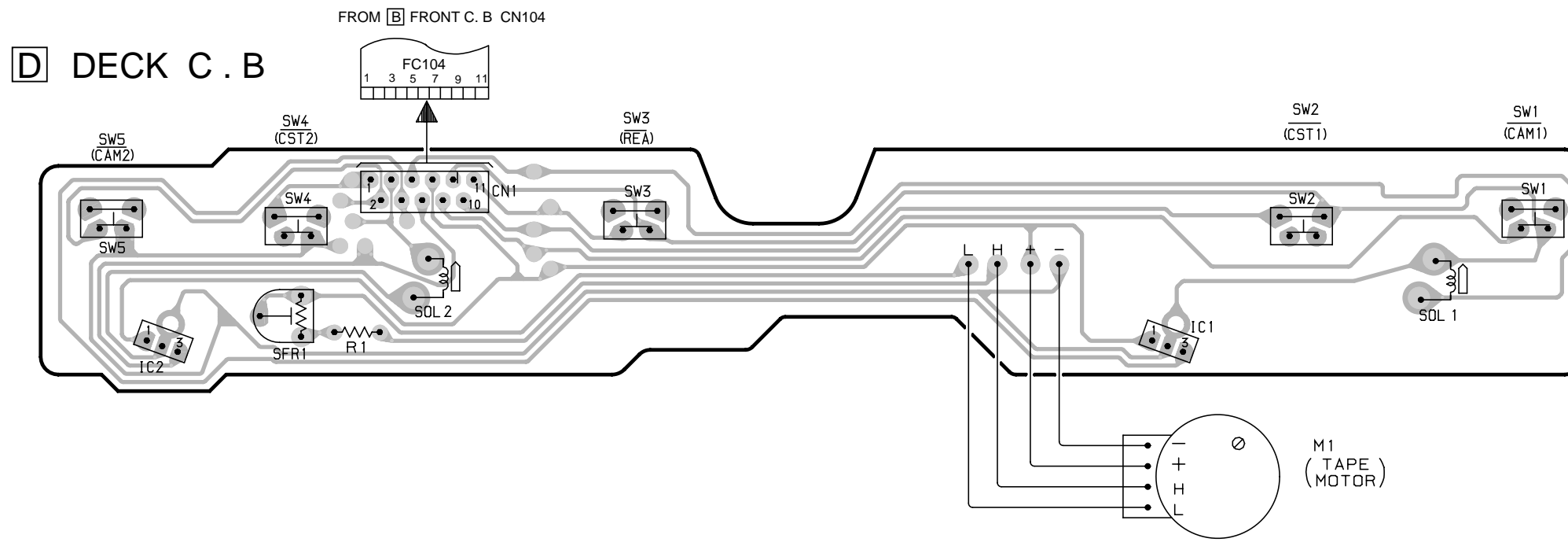
SCHEMATIC DIAGRAM - 3 (FRONT)



SCHEMATIC DIAGRAM - 4 (PT)



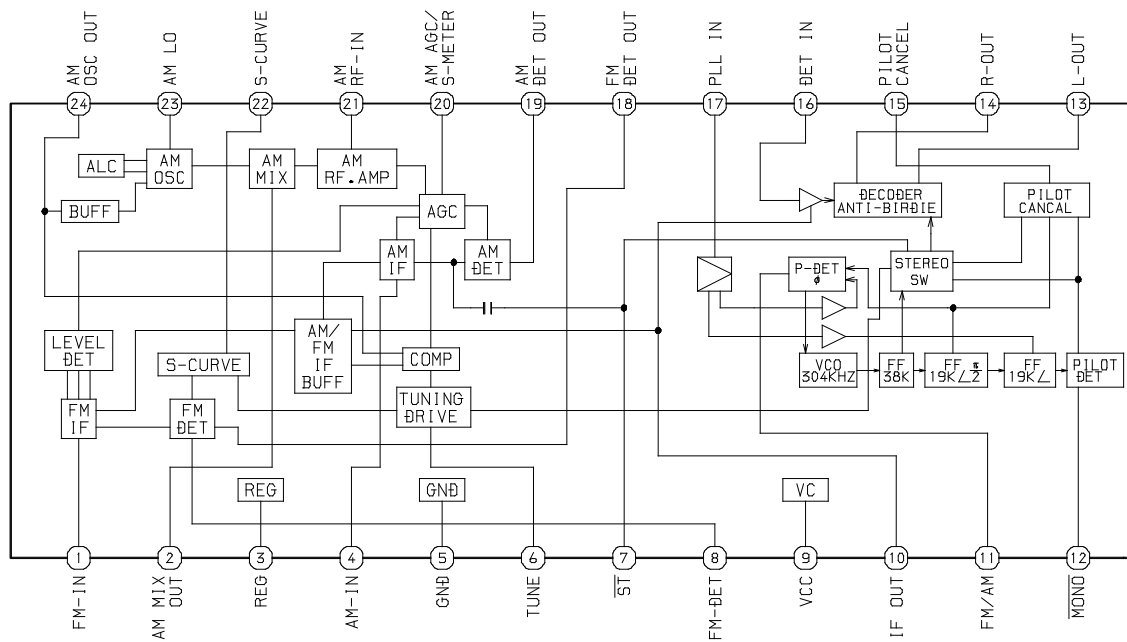
32	31	30	29	28	27	26	25	24	23	22	21	20	19	18	17	16	15	14	13	12	11	10	9	8	7	6	5	4	3	2	1
----	----	----	----	----	----	----	----	----	----	----	----	----	----	----	----	----	----	----	----	----	----	----	---	---	---	---	---	---	---	---	---



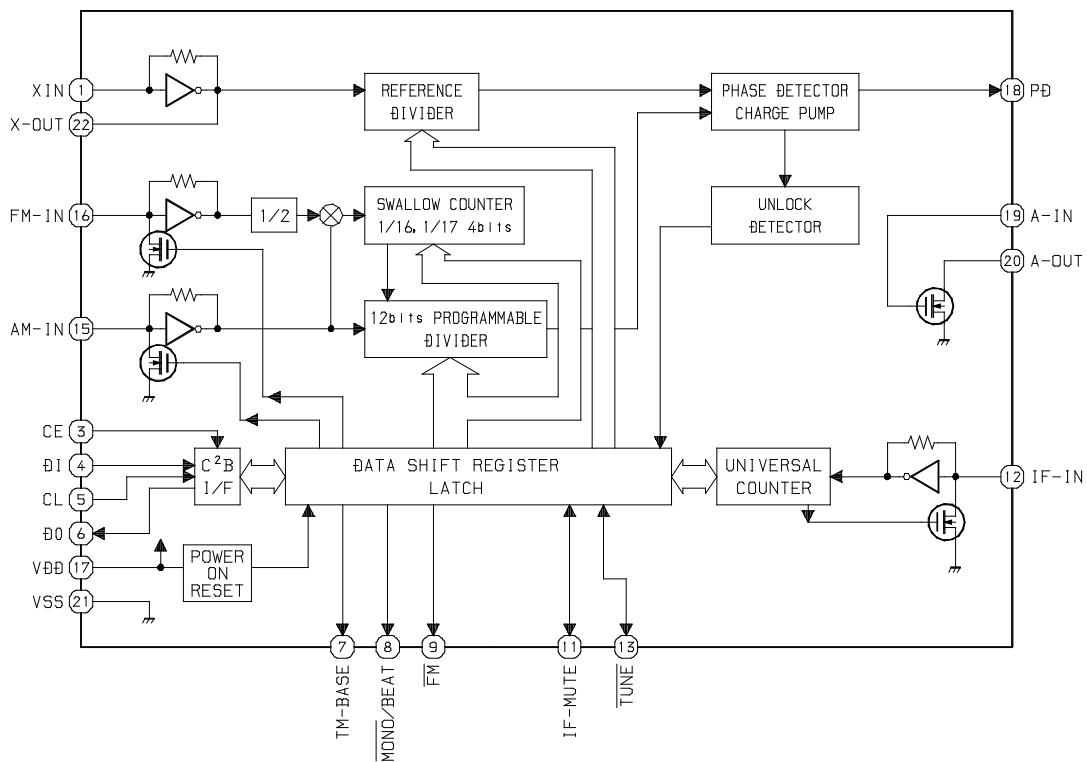
A
B
C
D
E
F
G
H
I
J
K
L
M
N
O
P
Q
R
S
T
U

IC BLOCK DIAGRAM

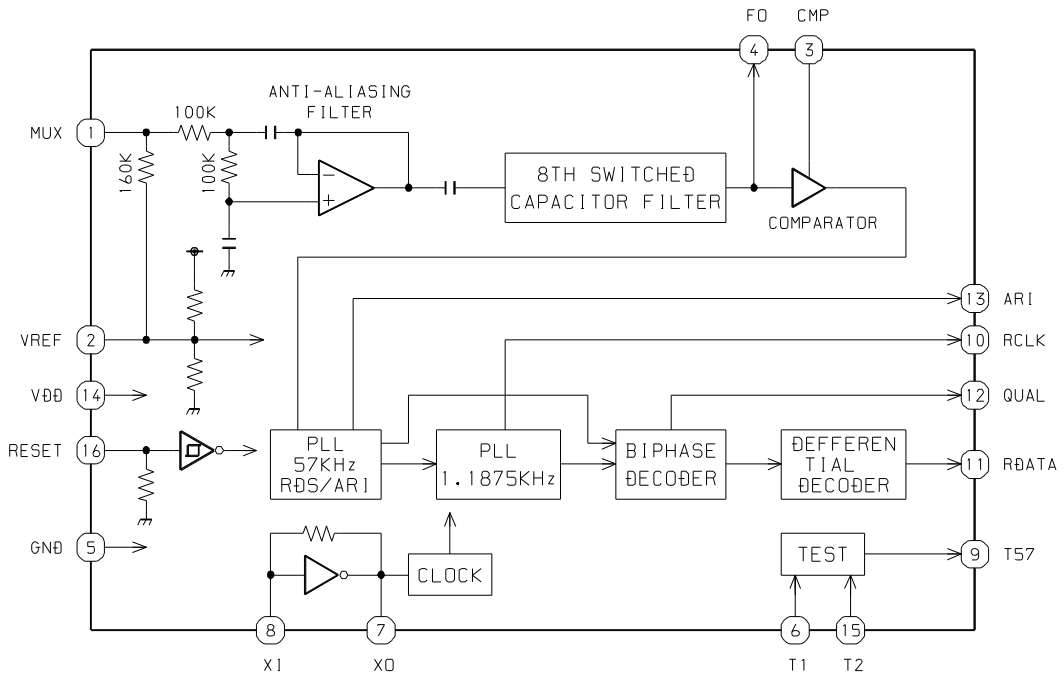
IC, LA1843



IC, LC72131D



IC, BU1920FS <22EZ ONLY>



IC, M61503FP

